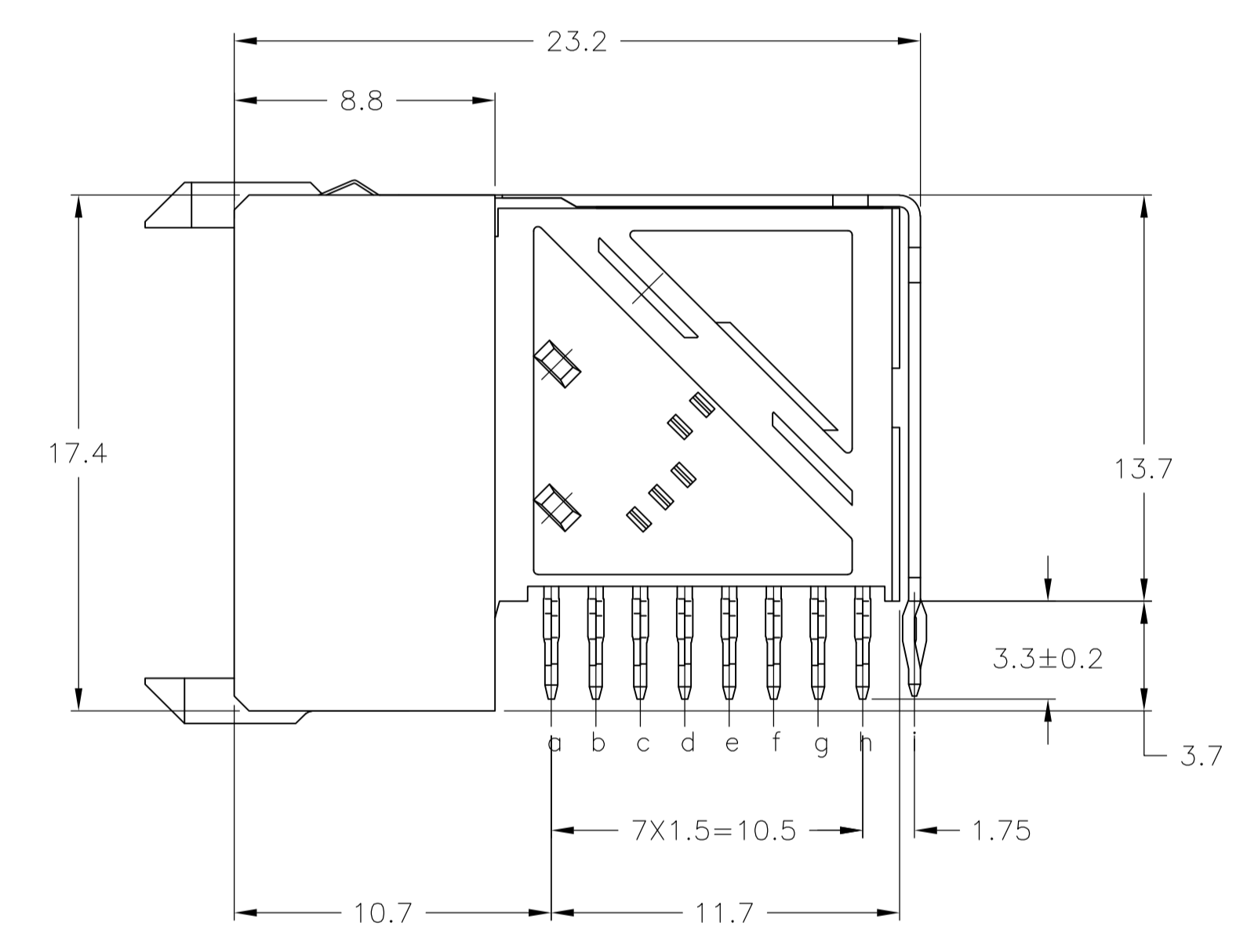
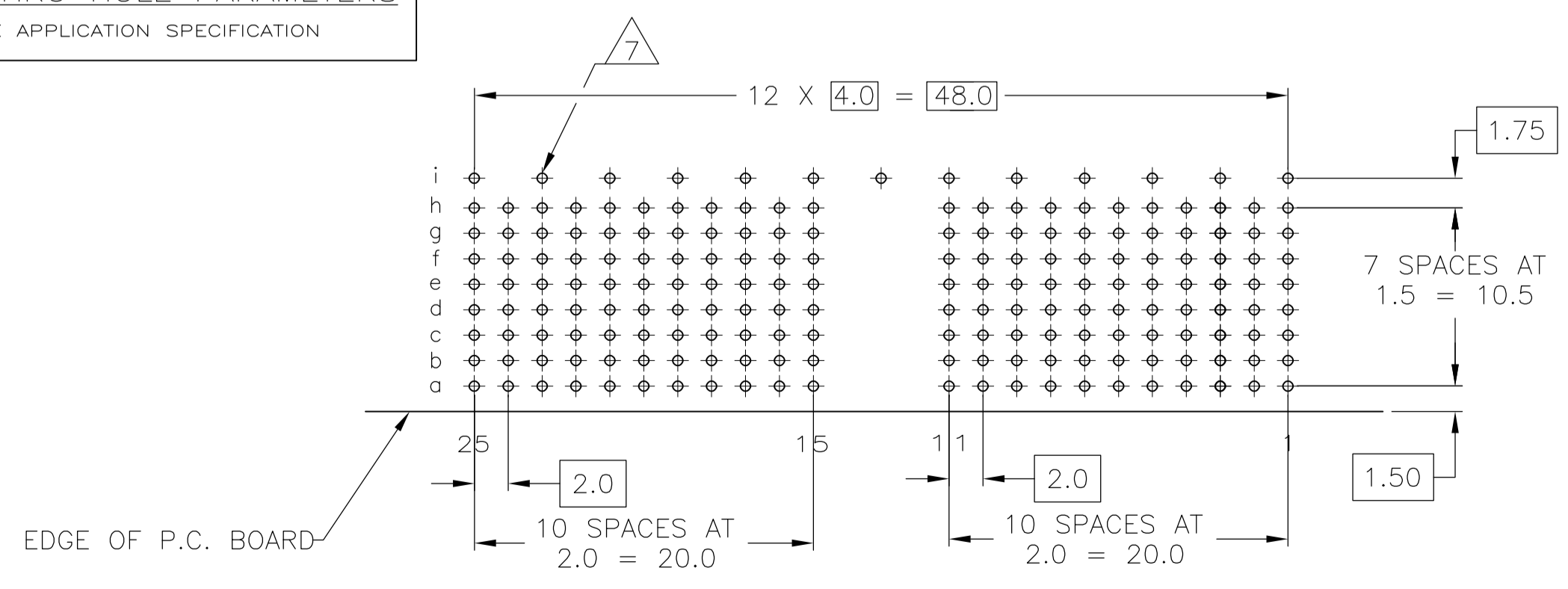


SECTION W-W



PLATED THRU HOLE PARAMETERS
REFERENCE APPLICATION SPECIFICATION



RECOMMENDED PCB-HOLE LAYOUT
COMPONENT SIDE SHOWN
SCALE 3:1

- 1 MATERIAL:
CONTACT: PHOSPHOR BRONZE.
HOUSING: GLASS-FILLED POLYESTER.
- 2 GENERAL PLATING SPECIFICATION: UNDERPLATING
(ENTIRE CONTACT): 1.27µm MIN NICKEL AND ACTION
PIN: 0.5µm MIN TIN.
FOR PLATING OF MATING SURFACES SEE APPLICABLE
SPECIFICATION REFERENCE FOR EACH DASH NUMBER.
- 3 CONFORMS TO ALL TESTING ACCORDING TO IEC 61076-4-101
PERFORMANCE LEVEL 2.
- 4 CONNECTOR TESTED AND QUALIFIED AGAINST TELCORDIA GR-1217-CORE QUALITY LEVEL 3,
CENTRAL OFFICE APPLICATIONS.
- 5 CONNECTOR TESTED AND QUALIFIED AGAINST TELCORDIA GR-1217-CORE QUALITY LEVEL 3,
UNCONTROLLED ENVIROMENT APPLICATIONS.
- 6 CONNECTOR MARKED WITH PART NUMBER AND DATE CODE.
ADDITIONAL CHARACTERS OR MARKINGS, AS WELL AS THE LOCATION OF THE MARKINGS,
MAY BE ADDED FOR TRACEABILITY BASED UPON MANUFACTURERS DISCRETION.
- 7 PLATED-THROUGH HOLES AT 2x1.5mm GRID
176 TOTAL HOLES.
- 8 ROW "i" 13 PLATED THROUGH HOLES FOR UPPERSHIELD.
- 9 CONNECTOR & SHIELD LUBRICATED WITH BELCORE APPROVED LUBRICANT,
TECHNICAL REFERENCE: TR-NWT-001217 ISSUE 1, SEP 1992.
- 10 SHIELD MOUNTED TO CONNECTOR WITH DOUBLE SIDED ADHESIVE TAPE
OR ADHESIVE.
- 11 OBSOLETE PARTS: OBSOLETE CIS STREAMLINING PER D.RENAUD/D.SINISI

OBSOLETE	2 5 9	-1-5646486-9-
	2 4 9	5646486-9
	2 3	5646486-1
	FINISH	PART NUMBER

THIS DRAWING IS A CONTROLLED DOCUMENT.		DIN B CARBO 28JUL05	TE Connectivity	
DIMENSIONS: mm		CHK G SKIPPER 28JUL05	R/A RECEPTACLE ASSY, 176 POSN	
TOLERANCES UNLESS OTHERWISE SPECIFIED:		APVD G SKIPPER 28JUL05	Z-PACK 2mm HM, TYPE D	
0-PLC ±		NAME	W/GROUND RETURN SHIELD	
1-PLC ±0.1		PRODUCT SPEC	108-1622	
2-PLC ±0.2		APPLICATION SPEC	114-19029	
3-PLC ±		SIZE	CODE	DRAWING NO
4-PLC ±		WEIGHT	A1	00779
ANGLES ±		RESTRICTED TO	C=5646486	
MATERIAL		CUSTOMER DRAWING	SCALE	SHEET
FINISH SEE TABLE			5:1	1 of 1